

# WELCOME TO THE AMSIB OPEN DAY

AMSTERDAM SCHOOL OF INTERNATIONAL BUSINESS



## WHAT WE STAND FOR:

Global mind-set

Entrepreneurial spirit

Research informed curriculum

Hands-on learning

Socially responsible

**SAP**  
**University**  
**Alliances**

**AACSB**

**PRME**  
Principles for Responsible  
Management Education

 EFMD  
**EPAS**  
ACCREDITED

# THE BASICS

- HOW DO I MAKE THE RIGHT STUDY CHOICE?
- AM I A GOOD FIT?
- WHAT IS INTERNATIONAL BUSINESS ALL ABOUT?
- WHAT ARE THE ADMISSION REQUIREMENTS?
- WHAT KIND OF SUPPORT CAN I EXPECT?
- WHAT CAN I DO AFTER GRADUATION?

# HOW TO MAKE THE RIGHT CHOICE?



## MINI-LECTURES

**Join a mini-lecture today!** Get a taste of what it is like to sit in a class. Today 30-minutes mini-lectures in Business English, Finance, Marketing and Business French.

	11:15 – 11:45	12:15 - 12:45	13:15 – 13:45
Room 4.121	Business English	Business English	Business English
Room 4.125	Finance	Finance	Finance
Room 4.129	Marketing	Marketing	Marketing

**No idea what you want to study?** Then visit the study choice centre in the library or speak one-on-one with a current student and ask your personal questions.

# HOW TO MAKE THE RIGHT CHOICE?

## STUDENT FOR A DAY

Experience being an AMSIB student for a day:

- Take part in two live lectures
- Meet your potential lecturers and fellow students
- Get a tour of the campus

Register today in the atrium or online for one of the dates below. Max capacity 80 students per day.

Monday 18 November	13:30 – 17:00 Business Campus in Zuidoost
Monday 13 January	13:30 – 17:00 Amstel Campus at Wibauthuis
Monday 16 March	13:30 – 17:00 Business Campus in Zuidoost
Monday 20 April	13:30 – 17:00 Business Campus in Zuidoost

# ARE YOU A GOOD FIT?

**I want to study in English:** all classes, assignments, projects are in English

**I am comfortable with mathematics:** In your first year, you will be required to learn Business Mathematics and Statistics.

**I welcome diversity:** open to and interested in other cultures

**I want to work internationally:** you will be trained on how to work in an international context

**Successful students:**

- are **engaged** with the university;
- are **motivated** in group and individual projects;
- are **proactive** and **go the extra mile**;
- want to develop a **global mind-set**.

$$y = a \cdot b x$$

$$f(x) = \frac{p(x)}{q(x)}$$

$$\sqrt{9} = \pm 3$$

$$y = ax^2 + bx + c$$

# INTERNATIONAL BUSINESS

PROGRAMME	MAJORS AND SPECIALISATION
<b>International Business Bachelor's Full-Time</b> <ul style="list-style-type: none"><li>• 4 years / 240 Ecs</li><li>• Option to choose an additional language up to a B1 level (French, Spanish, Mandarin, German, Japanese, or Portuguese)</li></ul>	<ul style="list-style-type: none"><li>• International Finance and Control</li><li>• International Marketing</li><li>• Organisation Leadership and Change</li><li>• Global Trade and Supply Chain Management</li><li>• Language, Communication and Culture Immersion <i>(in French, Spanish or Mandarin to a B2 level)</i></li></ul>
<b>International Business Bachelor's Fast-Track</b> <ul style="list-style-type: none"><li>• 3 years / 180 ECs</li><li>• No additional language option</li><li>• More intense and academic</li></ul>	<ul style="list-style-type: none"><li>• International Finance and Control</li><li>• International Marketing</li><li>• Organisation Leadership and Change</li><li>• Global Trade and Supply Chain Management</li></ul>

# INTERNATIONAL BUSINESS BACHELOR'S FULL-TIME

## YEAR ONE

SEMESTER 1	SEMESTER 2
Introduction to Quantitative Methods	Principles of Economics
Financial Management 1	Int. Supply Chain Management 1
Introduction to Management	Co-Creative Entrepreneurship 1
Marketing & Sales 1	Co-Creative Entrepreneurship 2
Business English 1	Business English 2
Ethics, Responsibility & Sust	Business Research
Personal Development 1	Personal Development 2
Cross Cultural Awareness	Information Technology

## YEAR TWO

SEMESTER 1	SEMESTER 2
International Supply Chain Management 2	Business Internationalisation
SAP – ERP	Marketing & Sales 2
Business Research 2	Finance & Accounting 2
Int. Macroeconomics for Business	Int. Human Resource Management
Business English 3	Transnational Commercial Law
Professional Branding	Cross Cultural Management
Elective 1	Elective 3
Elective 2	Elective 4



# INTERNATIONAL BUSINESS BACHELOR'S FULL-TIME

**YEAR  
THREE**

SEMESTER 1	SEMESTER 2
Choose your major:	Global Exchange or Minor
International Marketing and Sales OR	
Global Trade & Supply Chain Management OR	
Organisation, Leadership & Change OR	
International Finance & Control OR	
Language, Communication and Culture Immersion	

**YEAR  
FOUR**

SEMESTER 1	SEMESTER 2
Internship	Thesis
	Academic Research and Writing Supportive for thesis
	Advanced Leadership Development

# ADMISSION REQUIREMENTS DUTCH DIPLOMAS

## INTERNATIONAL BUSINESS BACHELOR'S FULL-TIME

	ECONOMICS & SOCIETY	CULTURE & SOCIETY	NATURE & TECH	NATURE & HEALTH
HAVO & VWO	With the addition of one of the following five subjects: <ul style="list-style-type: none"> <li>- Mathematics A/B</li> <li>- Economics</li> <li>- M&amp;O</li> <li>- Business economics</li> </ul>	With the addition of one of the following five subjects: <ul style="list-style-type: none"> <li>- Mathematics A/B</li> <li>- Economics</li> <li>- M&amp;O</li> <li>- Business economics</li> </ul>	With the addition of one of the following five subjects: <ul style="list-style-type: none"> <li>- Mathematics A/B</li> <li>- Economics</li> <li>- M&amp;O</li> <li>- Business economics</li> </ul>	With the addition of one of the following five subjects: <ul style="list-style-type: none"> <li>- Mathematics A/B</li> <li>- Economics</li> <li>- M&amp;O</li> <li>- Business economics</li> </ul>
MBO 4	No further requirements.	No further requirements.	No further requirements.	No further requirements.

*Students with a Dutch diploma will be required to complete the study check.*

# INTERNATIONAL BUSINESS BACHELOR'S FAST-TRACK

## YEAR ONE

SEMESTER 1	SEMESTER 2
Principles of Management	Economics & Change
Managerial & Financial Accounting	Cross Cultural Management
Applied Research 1	Applied Research 2
Marketing & Sales Management	Governance, Sustainability & Entrepreneurship
Professional English Writing	Business Information Technology
Professional & Academic Skills	Global Business Law

## YEAR TWO

SEMESTER 1	SEMESTER 2
Business Mathematics & Statistics	Choose your major: International Marketing and Sales OR Global Trade & Supply Chain Management OR Organisation, Leadership & Change OR International Finance & Control
Marketing Strategy	
Global Human Resource Management	
Corporate Finance & Investment	
Business Operations Management	
Global Market Economics	
Business Mathematics & Statistics	
Marketing Strategy	

## YEAR THREE

SEMESTER 1	SEMESTER 2
Global Exchange or Minor	Internship
	Thesis

# ADMISSION REQUIREMENTS DUTCH DIPLOMAS

## INTERNATIONAL BUSINESS BACHELOR'S FAST-TRACK

	ECONOMICS & SOCIETY	CULTURE & SOCIETY	NATURE & TECH	NATURE & HEALTH
<b>HAVO</b>	Min. avg. grade 8	Min. avg. grade 8	Min. avg. grade 8	Min. avg. grade 8
<b>HAVO &amp; VWO</b>	Having completed one of the following five subjects: <ul style="list-style-type: none"> <li>- Mathematics A/B</li> <li>- Economics</li> <li>- M&amp;O</li> <li>- Business economics</li> </ul>	With the addition of one of the following five subjects: <ul style="list-style-type: none"> <li>- Mathematics A/B</li> <li>- Economics</li> <li>- M&amp;O</li> <li>- Business economics</li> </ul>	With the addition of one of the following five subjects: <ul style="list-style-type: none"> <li>- Mathematics A/B</li> <li>- Economics</li> <li>- M&amp;O</li> <li>- Business economics</li> </ul>	With the addition of one of the following five subjects: <ul style="list-style-type: none"> <li>- Mathematics A/B</li> <li>- Economics</li> <li>- M&amp;O</li> <li>- Business economics</li> </ul>

*Students with a Dutch diploma will be required to complete the study check.*

# MANDATORY STUDY CHECK

## MULTIPLE COMPONENTS:\*

1. ONLINE PREPARATION AND COACHING
2. MANDATORY ATTENDANCE ON CAMPUS STUDY CHECK DAY

## POSITIVE/NEGATIVE ADVICE:

Two weeks after online assessment, you will receive the official study check advice.

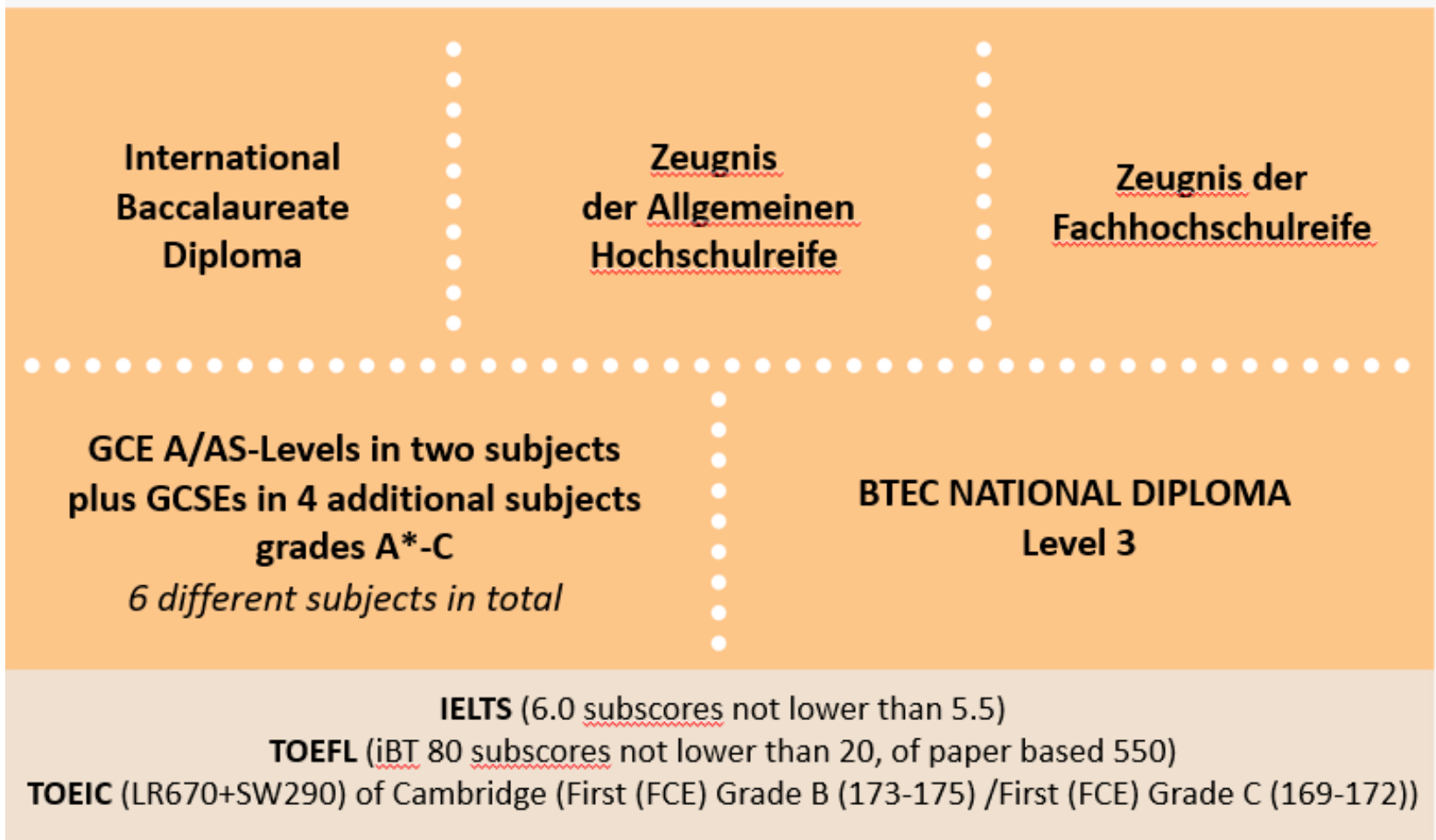
**Take this seriously!** Read more at [www.amsterdamuas.com/studycheck](http://www.amsterdamuas.com/studycheck)

- TUESDAY 21 APRIL 2020, 14:00 – 17:00
- TUESDAY 9 JUNE 2020, 14:00 – 17:00
- TUESDAY 7 JULY 2020, 10:00 – 13:00
- TUESDAY 7 JULY 2020, 14:00 – 17:00

*\*Components subject to change*

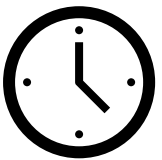


# INTERNATIONAL DIPLOMAS

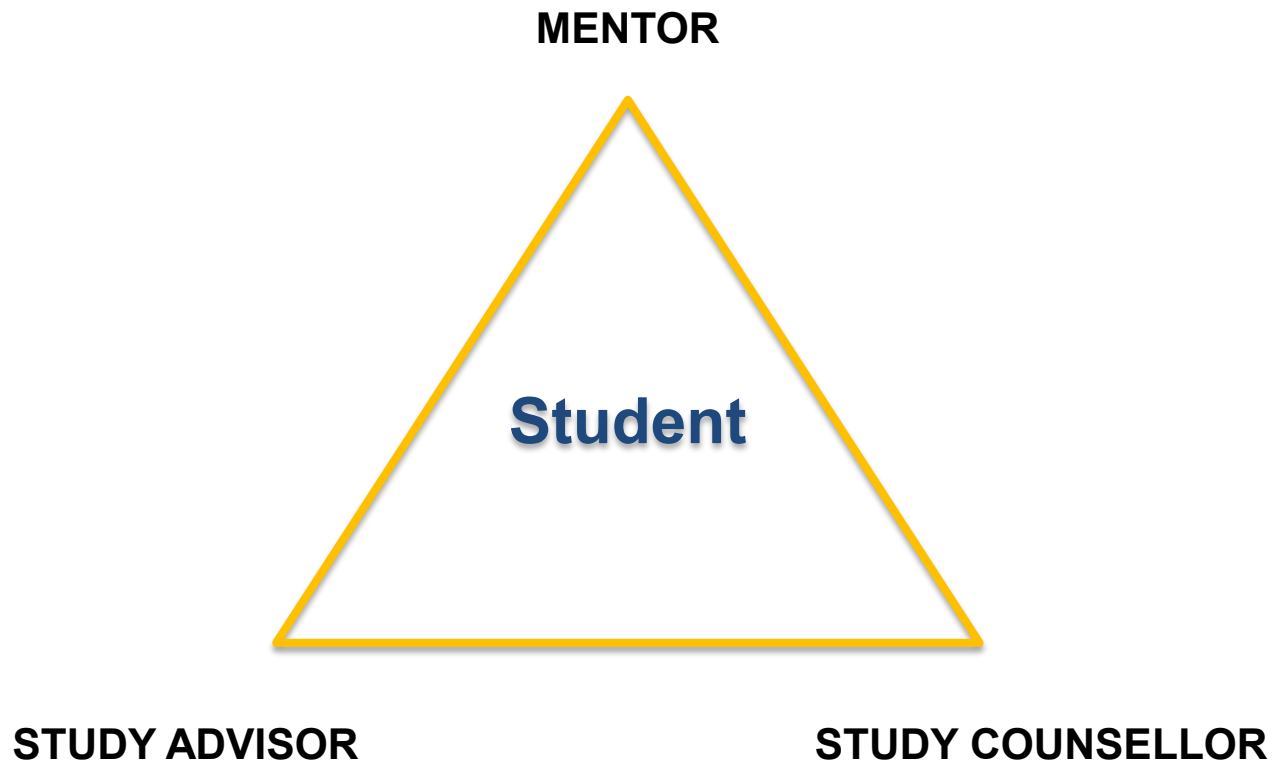


# STUDY LOAD

- 42 weeks of teaching per year;
- 40 hours (on average) per week total;
- 20 contact hours: lectures, seminars, team work;
- 20 self-study hours: research, assignments, studying.



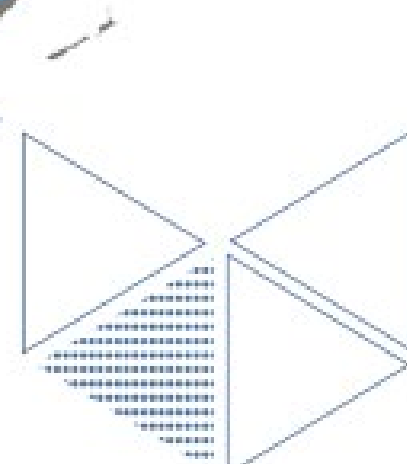
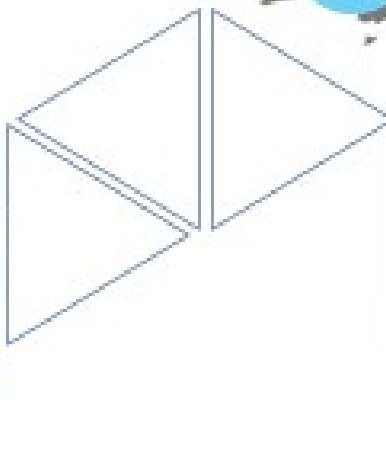
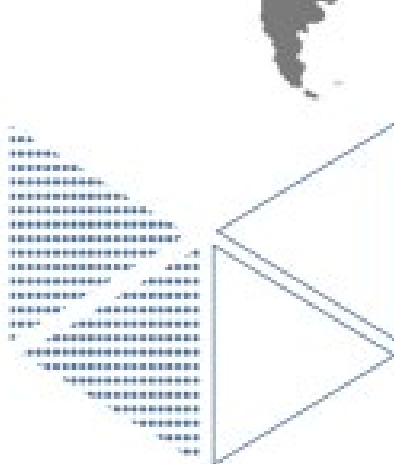
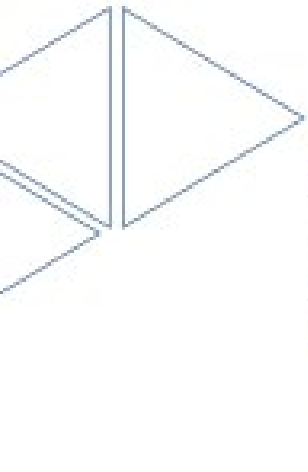
# TRIANGLE OF SUPPORT





# GLOBAL EXCHANGE

## 130+ PARTNER UNIVERSITIES



# LOOKING FOR MORE THAN A BACHELOR DEGREE?

**DOUBLE DEGREE** Option to spend one year in Berlin at the Berlin School of Economics and Law and graduate with two bachelor degrees

## MASTER'S

AMSIB Master MSc under construction

From Northumbria University in Amsterdam, gain direct access to:

- MSc Project Management
- MSc Business with Business Analytics
- MSc Business with International Management

We recommend a specialised Master's at one of our trusted Partners:

- MA Chinese-European Economics and Business, Berlin School of Economics and Law
- MA Strategic Management in Global Communication, Blanquerna – Ramon Llull University, Spain

# AFTER GRADUATION?

- 80% find a job within 6 months
- 15% pursue a Master's directly
- 5% go travelling, pursuing other goals



# WHO CAN YOU BE WITH A DEGREE IN INTERNATIONAL BUSINESS?

## Company

Adidas

Nike

SAP SE

Nachtblumen

SOS International

KPN

Santander

## Job Title

Business Analyst

Category Merchandising Manager

Business Development Associate

CEO, Founder

Coordinator International Assistance

Business Consultant OCM & Big Data

E-commerce/Digital Manager Benelux region



# OUR INTERNATIONAL CLASSROOM



- 80 different nationalities
- 35% international faculty
- 1100 international students per year



# WHAT IS YOUR INVESTMENT?

## DUTCH & EU/EEA STUDENTS

<u>Tuition fees</u>	€2,060
Books	€550
<u>Housing</u>	€6,000
Food (200 p/m)	€2,400
Transport	
(Bike)	€200
Health Insurance (100 p/m)	€1,200
Global Exchange*	

## INTERNATIONAL STUDENTS – (NON EU)

<u>Tuition fees</u>	€8,144
Books	€550
<u>Housing</u>	€6,000
Food (200 p/m)	€2,400
Transport	
(Bike)	€200
(Public 93 p/m)	€930
Health Insurance (100 p/m)	€1,200
Global Exchange*	

*\* Depending on destination, consider cost of flights, housing and local living costs  
 Prices above are subject to change.*



# STUDENT FOR DAY

REGISTER ONLINE OR IN THE ATRIUM TO  
EXPERIENCE BEING A STUDENT FOR A DAY.

# MINI LECTURES

JOIN A 30 MINUTES LECTURE TODAY IN BUSINESS ENGLISH, FINANCE OR  
MARKETING. MAXIMUM CAPACITY IS 40 STUDENTS.

# STUDY CHOICE SQUARE

NOT SURE WHICH STUDY TO CHOOSE?  
VISIT THE LIBRARY FOR MORE ONE-ON-ONE GUIDANCE.

# ATRIUM

MEET AMSIB STUDENTS AND ADVISORS. LEARN MORE ABOUT OUR  
PROGRAMMES AND GET YOUR PERSONAL QUESTIONS ANSWERED.

TEST YOUR AMSIB KNOWLEDGE:

[PLAY THE QUIZ](#)

[AMSTERDAMUAS.COM/AMSIB](https://amsterdamuas.com/amsib)